

t4000

Through The Wall Solution



HANTLE

The **Hantle t4000** ATM provides an economical, high performance through-the-wall solution. Designed and built with compact **modular** components and engineered for **easy installation**.

The t4000 offers a host of high-end features including a **10.4" Sun-Viewable Color LCD** supporting custom screen advertisements and communication via **56K Modem** or integrated **Ethernet (SSL)**.

The t4000 is **TDES** and **ADA** compliant out of the box, including a **PCI/VISA/Interac certified encrypting PIN pad (EPP)**, a voice guidance system, and lighted action indicators.

HANTLE

"Tomorrow's Technology for Today's Market"

t4000

HANTLE
www.hantle.com

INTEGRATED ILLUMINATED TOPPER

Integrated illuminated topper
for creating high visibility
and attracting customers

HIGH-BRIGHT MONITOR

10.4 inch diagonal 32-bit color, backlit
Sun-viewable TFT LCD panel
800 x 600 SVGA resolution

ADA

Accessible keypad layout
Voice guidance
Lighted action indicators



PRINTER

3 1/8" Thermal receipt printer.
Can print custom graphic

CARD READER

Manual insert (dip) magnetic card reader
EMV (optional)

KEYPAD

16-key alphanumeric keypad
VISA/Interac PCI certified
Triple DES (TDES) compliant
Encrypting PIN pad (EPP)

CPU

Intel XScale® 32-bit CPU
Windows® CE operating system

REAR SERVICE PANEL

Perform Operator Tasks and Diagnostics

CASH DISPENSER

Sliding cash dispensing unit for easy service
1,700 note removable cassette



SECURITY

UL 291 Business Hour listed
Electronic lock
Cencon Lock (optional)

COMMUNICATION

56K dial-up modem or Ethernet (TCP/IP)
On-board SSL Encryption

ADVANCED SERVICES

The Hantle t4000 comes with a steel pedestal which can be adjusted from 25" to 35". The pedestal carries the entire weight of the machine so you can install the t4000 in thin walls or facades.

SPECIFICATIONS

Dimensions

33" H 24" W 28" D

Weight: 400 lbs*

*includes pedestal

Operating Environment:

Temperature range: 40°F-95°F

Relative humidity: Non-condensing - 15%-85%

Options and Upgrades:

Cencon Electronic Lock

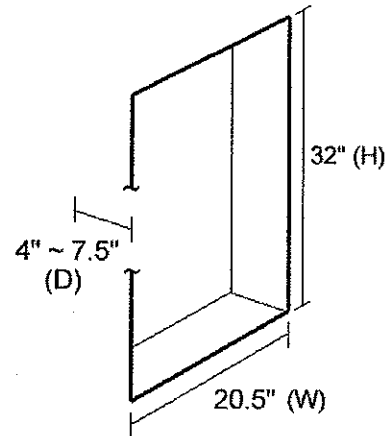
EMV Card Reader

2.1.2 PHYSICAL INSTALLATION

IMPORTANT NOTE: Before planning any install, please be careful to follow ADA guidelines for height and reach access. Diagrams in this section represent a theoretical installation with unobstructed forward and parallel access. Specifics for ADA guidelines can be found at www.access-board.gov

Step 1

Begin by preparing the hole in the wall. Refer to the diagram at right for dimensions. The wall will not be carrying the weight of the machine. If the wall is thinner than 4" in thickness, you'll need to construct a backfill to make up the distance.



NOTE:

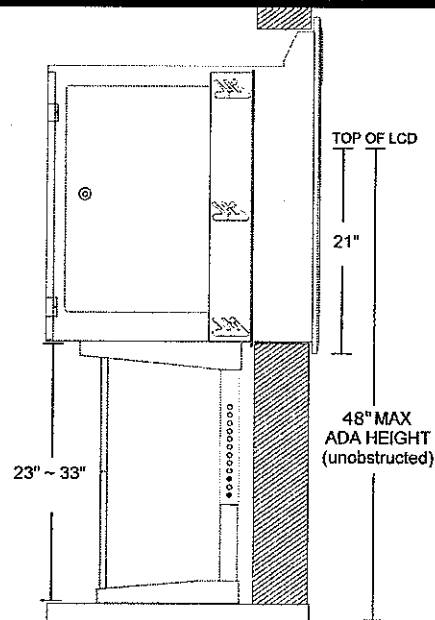
Hole diagram spec provides extra .25" for clearance on each side.

Step 2

When planning your installation, remember to compensate for height differences between the exterior floor and the interior. Pedestal height allows for 25 to 35 inches overall (+1~2" if pedestal feet are used).

Set the pedestal height to just above the bottom of the hole (the T4000™ outside bezel, when installed, extends below the bottom by 1/2").

Position the base as close to the wall as possible. The holes on top of the pedestal are elongated to give you several inches of horizontal movement. You want the pedestal as close to the back side of the wall as possible.

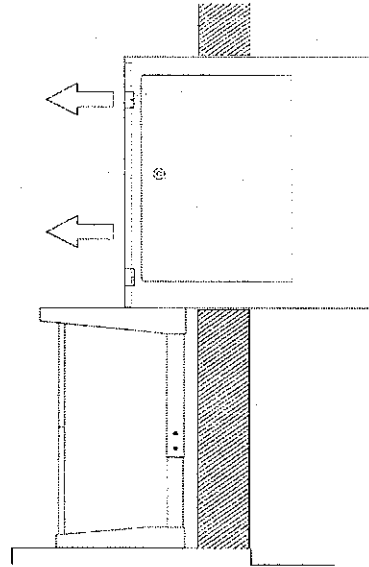


Step 3

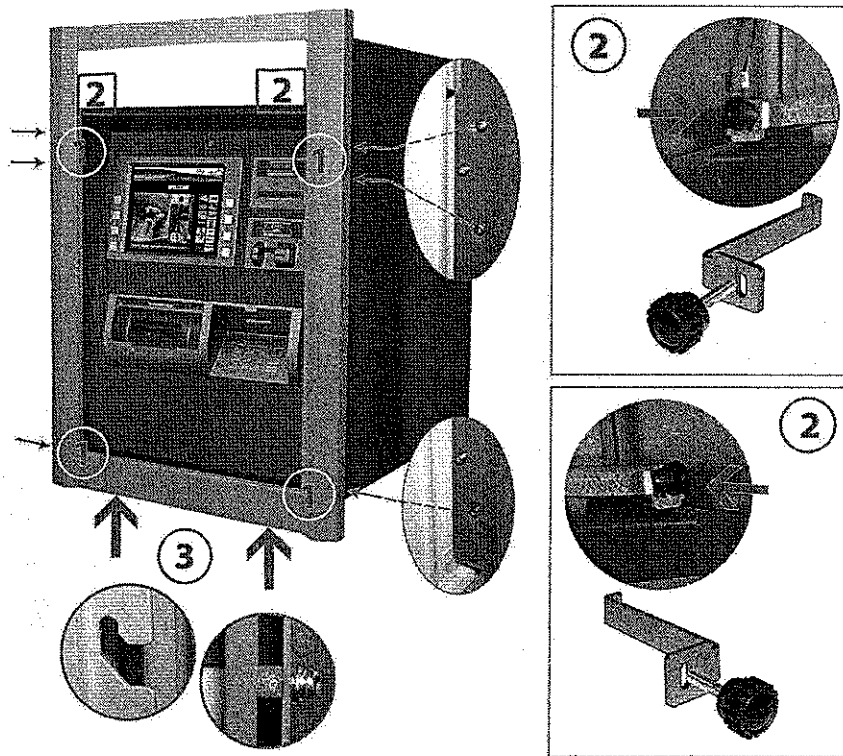
The T4000™ should be installed from the exterior side of the wall. Remove the mounting brackets from each side of the vault. Install the machine into the wall and position it on the pedestal so that the mounting holes align. **NOTE:** Check clearance on the door hinges while installing into the wall.

Use the threaded feet underneath the base of the pedestal for fine height adjustment.

Remove the front bezel if necessary (see step 4) and apply a bead of water resistant caulking (silicon) or some material appropriate to your specific mounting location to seal the area behind the bezel.

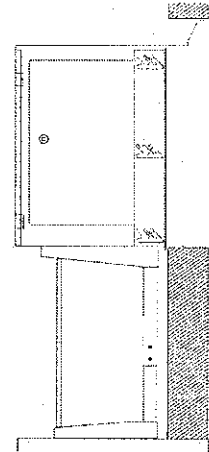
**Step 5**

If you need to remove the front bezel assembly from the machine during installation: There are 3 screws on either side of the machine (identified by red arrows - #1 below) as well as two brackets located behind the light up sign (identified by black thumbscrews #2 below) The lift the bezel upwards - #3 below.



Step 6

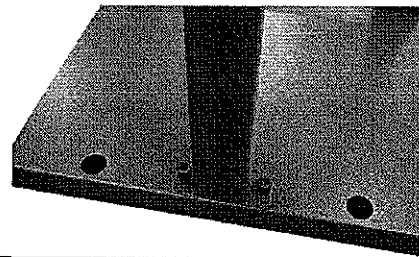
Once the T4000™ is installed in the wall, position it on the pedestal using the elongated holes so that the pedestal is as close to the backside of the wall as possible. Using the included hardware, secure the pedestal to the T4000™. **WARNING:** If the rear portion of the T4000™ is installed in a high risk security area, you may want to use a security head bolt, or apply a tack weld to the bolts attaching the T4000™ to the pedestal for added protection.



Next reattach the side braces. The steel side braces are designed to restrain horizontal movement. They should not be used as a load bearing bracket.

Step 7

For additional security, the pedestal base includes holes for anchors. Allow for additional anchor length if adjustable feet are used in the pedestal installation.

**END**

**PLEASE SEE END OF MANUAL FOR ADDITIONAL
INSTALLATION INSTRUCTIONS AND SPECS.**